

1

2

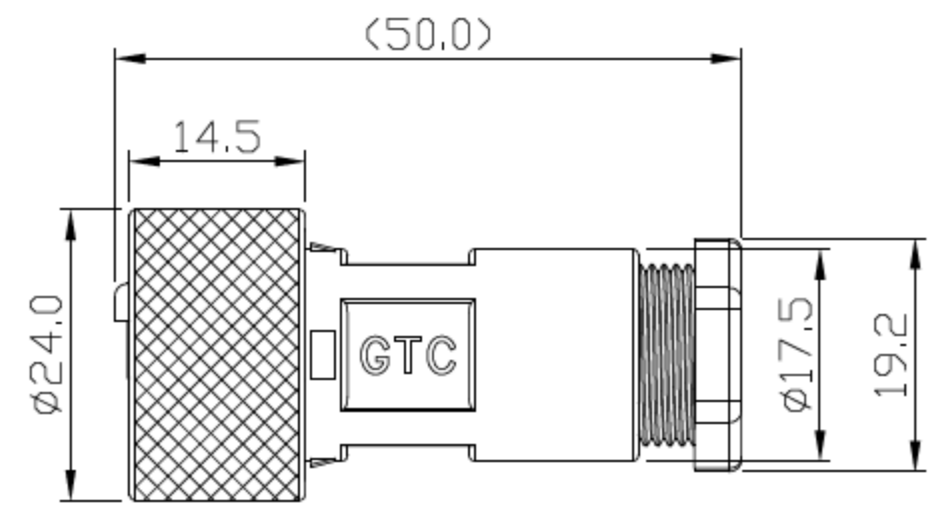
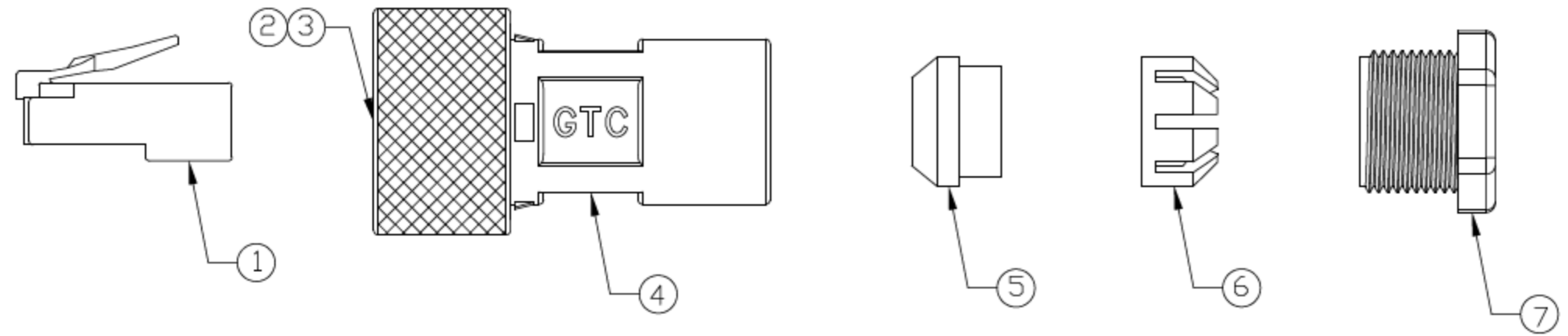
3

4

Notes: (Unless Otherwise Specified)

- 1. Waterproof Rate: IP68.
- 2. Cable Diameter: 5.0 to 6.0 mm
- 3. Recommend Gland Nut Torque: 9.0 to 10.0 Kgf-cm.
- 4. Matting No.: GT225200/GT225500 Series.
- 5. RoHS & REACH Compliant

REV	ECN#	DESCRIPTION OF REVISION	DRAW BY DATE	CHECK BY DATE	APPROVE BY DATE
A0		Mass Production	Joyce 04/11/17	Lucas 04/11/17	Ray 04/11/17



DOC.CENTER.ISSUE  
APR.12.2017  
ONLY FOR  
RELEASE

Item	Part Name	Material / Finish	Q'ty
7	Gland Nut	Thermoplastic Color: Black	1
6	Cage	Thermoplastic Color: White	1
5	Gland	Silicone Color: Green	1
4	Housing	Thermoplastic Color: Black	1
3	Screw Nut	Copper Alloy Finish: Ni Plated	1
2	Rubber Pad	Silicone Color: Black	1
1	RJ45 Plug	Housing: Thermoplastic, Color: Clear Contacts: Copper Alloy, Finish: Au Plated Shell: Cold Roll Steel, Finish: Ni Plated	1

TITLE RJ45 Metal C3 Shielded E1 Field Installable Cable End Plug Screw					DRAWING NUMBER RR-225360-00			REV. A0	
THIRD ANGLE PROJECTION	SIZE B	SCALE 1:1	DRAW / DATE Joyce 04/11/17	CHECK / DATE Lucas 04/11/17	APPROVE / DATE Ray 04/11/17	TOLERANCES X.X ± 0.5 X.XX ± 0.2 X.XXX ± 0.05 ANGLES ± 1°		UNIT mm	SHEET 1/1

THE INFORMATION CONTAINED HEREIN IS THE PROPRIETARY INFORMATION OF RR BUSINESS VENTURES, LLC. THE POSSESSOR AGREES TO THE FOLLOWING:

1. MAINTAIN THIS DOCUMENT IN CONFIDENCE
2. NOT TO REPRODUCE OR COPY IT
3. NOT TO REVEAL OR PUBLISH IT IN WHOLE OR IN PART

COPYRIGHT © 2019

1

2

3

4